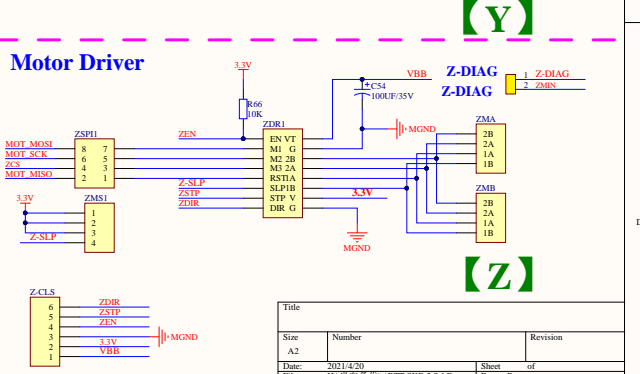
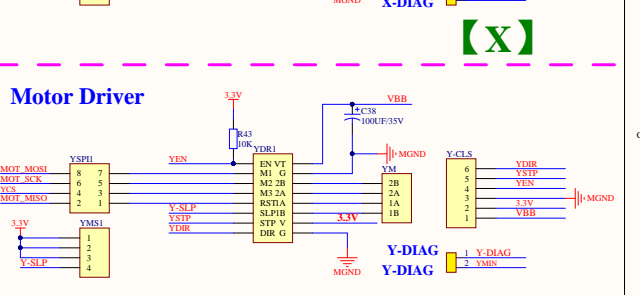
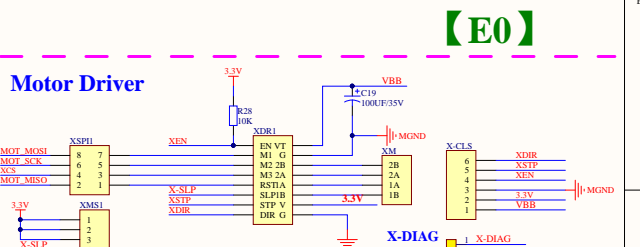
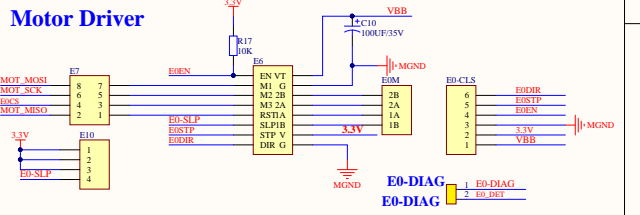
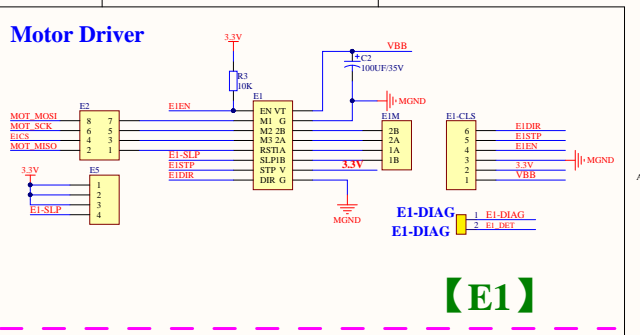
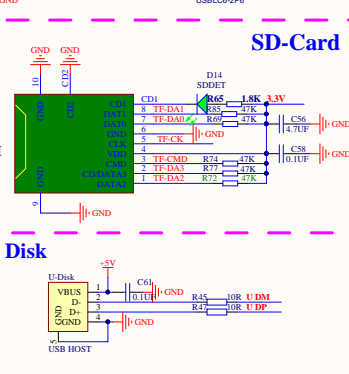
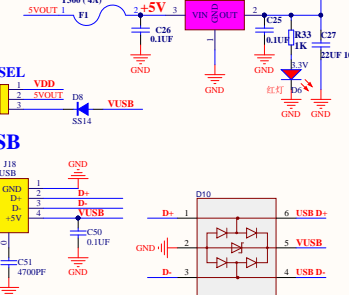
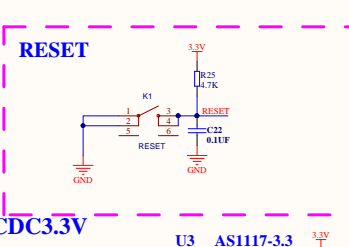
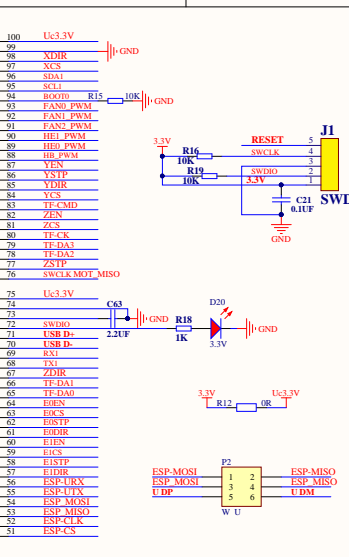


SKR 2 Board



Title	A2		Revision
Size	Number		
Date:	2021/4/20	Sheet	of
File:	托架驱动板_01_BTT SKR 2_SchDoc	Sheet	of
		Drawn By:	